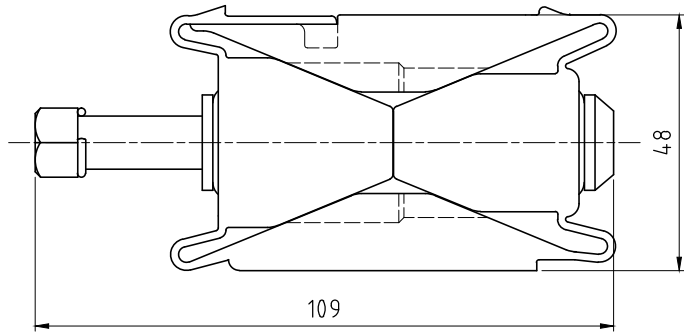
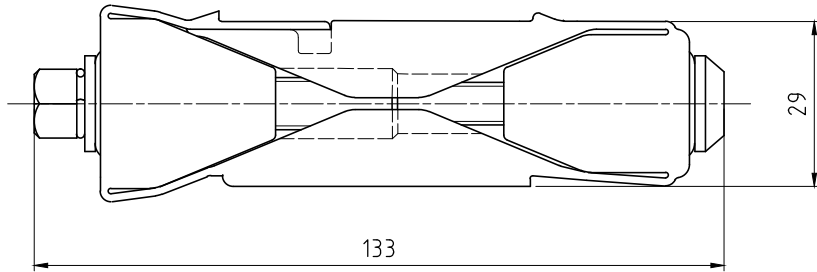


Roxtec reserves all rights. Unauthorized reproduction, use or disclosure to third parties is strictly forbidden.

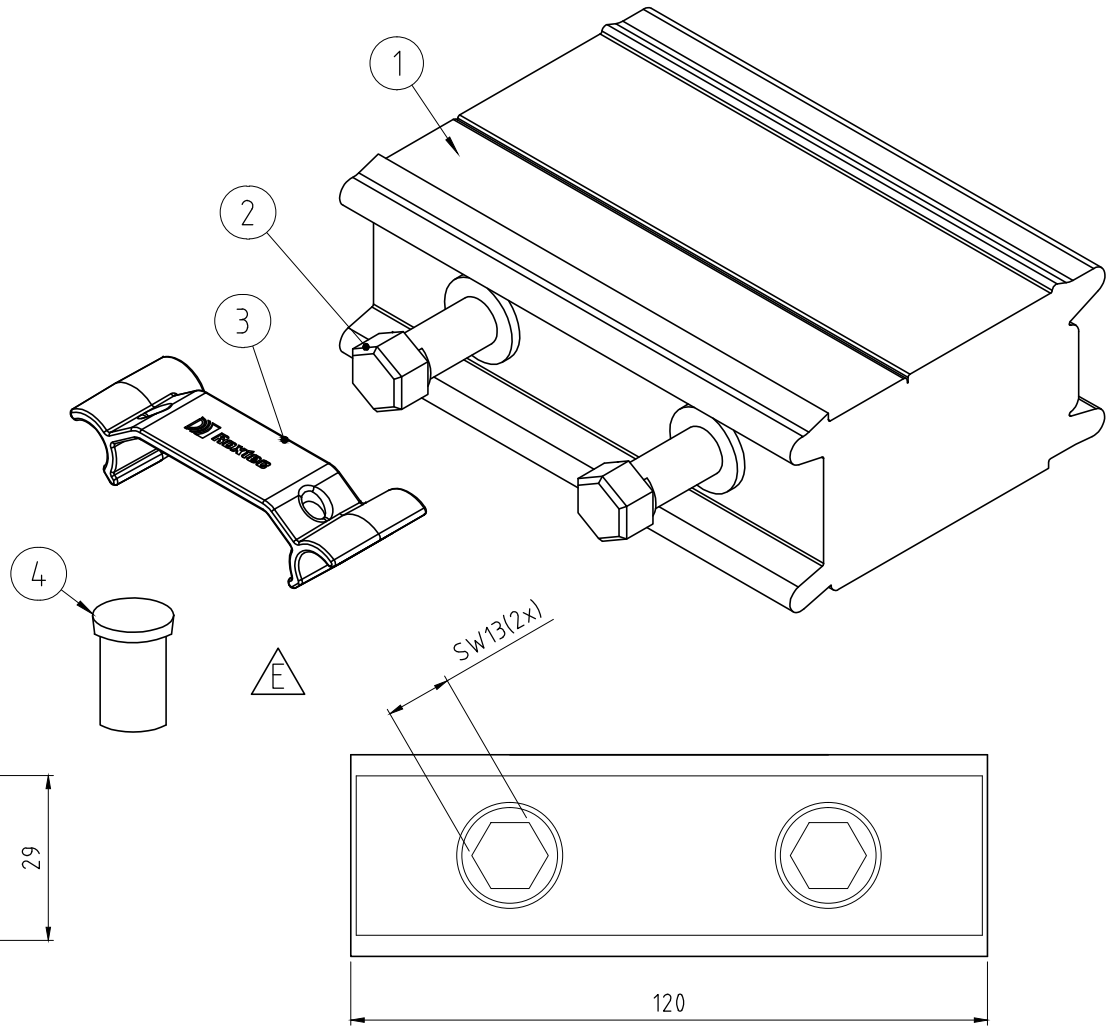
All rights reserved. Unauthorized reproduction, use or disclosure to third parties is strictly forbidden.



COMPRESSED


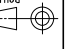


UNCOMPRESSED



AVAILABLE WITH ACID PROOF STAINLESS STEEL FITTINGS OR GALVANIZED FITTINGS.

Item	Qty	Designation	Specification	Net Weight
4	1	ROXTEC LUBRICANT	25ML TALLOW	
3	1	WEDGE CLIP	PLASTIC	
2	1	SCREW	ACID PROOF ST. STEL / GALVANIZED	
1	1	ROXTEC WEDGE BODY	ROYLON	

General Tolerance ISO 2768-1/2-m/K		Welded details EN ISO 5817-B		General surface roughness, Ra EN ISO 10042-B		Designed by tc_service		Created Date 2003-11-03		Latest save date 2017-05-15		Format A3	Scale 1:1	Sheet no	TotWeight -
 Roxtec www.roxtec.com		Title ROXTEC WEDGE WEDGE 120										Projection method 			
		Restricted due to Information drawing										Drawing number S1005546		Rev E	

E	LUBRICANT ADDED.	2017-05-15	se-jenboh
Rev	Type of revision	Date	Sign